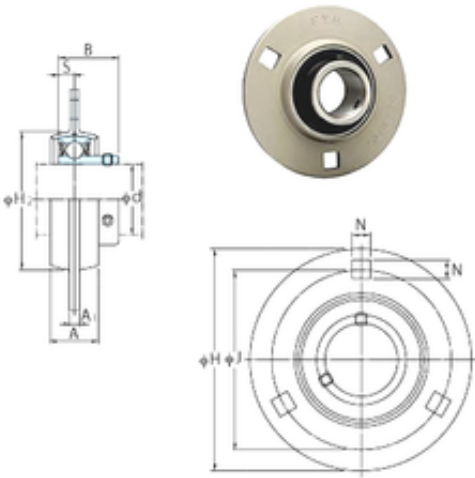




NTN PRECISION AXLE CORP.

FYH SBPF206-20 bearing units

Bearing No. SBPF206-20



SBPF206-20 Bearing 2D drawings and 3D CAD models

| | |
|-------------------------------|---------|
| Bore Diameter | 30 mm |
| Width | 30 mm |
| d | 30 mm |
| A | 19 mm |
| A1 | 5,2 mm |
| B | 30 mm |
| H | 113 mm |
| H2 | 71 mm |
| J | 90,5 mm |
| N | 11 mm |
| S | 8 mm |
| Bolt (G) | M10 |
| Weight | 0,62 Kg |
| Basic dynamic load rating (C) | 19,5 kN |
| Basic static load rating (C0) | 11,3 kN |