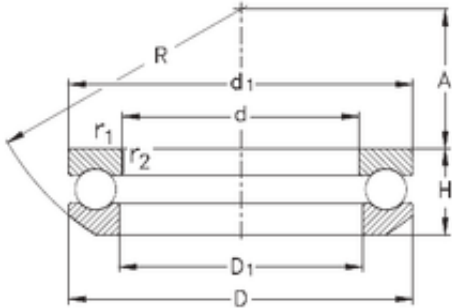




# NTN PRECISION AXLE CORP.

## NKE 53216 thrust ball bearings



Bearing No. 53216

Size	80x115x29.5 mm
Bore Diameter	80 mm
Outer Diameter	115 mm
Width	29,5 mm
d	80 mm
D	115 mm
H	29,5 mm
d1	115 mm
r1 min.	1 mm
r2 min.	1 mm
A	46 mm
D1	82 mm
R	90 mm
Weight	0,9 Kg
Basic dynamic load rating (C)	75 kN
Basic static load rating (C0)	190 kN

53216 Bearing 2D drawings and 3D CAD models