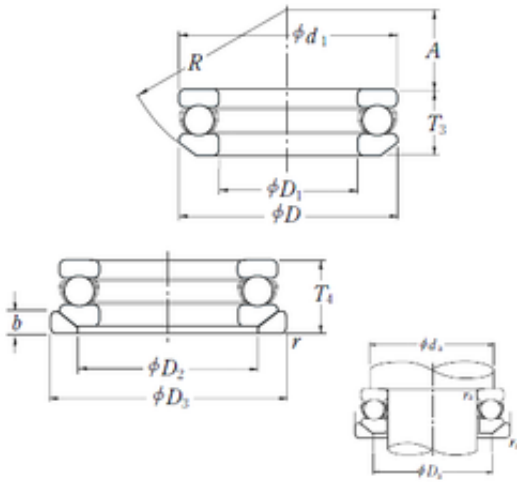




NTN PRECISION AXLE CORP.

NSK 53422XU thrust ball bearings

Bearing No. 53422XU



53422XU Bearing 2D drawings and 3D CAD models

| | |
|-------------------------------|----------------|
| Size | 110x230x109 mm |
| Bore Diameter | 110 mm |
| Outer Diameter | 230 mm |
| Width | 109 mm |
| d | 110 mm |
| D | 230 mm |
| T | 109 mm |
| b | 29 mm |
| d1 | 225 mm |
| r min. | 3 mm |
| A | 59 mm |
| D1 | 113 mm |
| D2 | 170 mm |
| D3 | 240 mm |
| R | 180 mm |
| da min. | 181 mm |
| Da max. | 159 mm |
| ra max. | 2,5 mm |
| Weight | 24,3 Kg |
| Basic dynamic load rating (C) | 415 kN |
| Basic static load rating (C0) | 1150 kN |
| (Grease) Lubrication Speed | 630 r/min |
| SRI | 22.3 |
| hidYobi | 53422XU |
| LangID | 1 |
| D_ | 230 |



NTN PRECISION AXLE CORP.

| | |
|------------|-------------|
| SREX | 0.16 |
| C | 415 |
| B_ | 109 |
| hidTable | ecat_NSSDTB |
| Oil rpm | 950 |
| SRE | 22.3 |
| mass | 24.3 |
| GRS rpm | 630 |
| ra | 2.5 |
| SRIX | 0.16 |
| T4 | 109 |
| D_3 | 240 |
| D_a | 159 |
| SRIN | 0 |
| C0 | 1150 |
| D_2 | 170 |
| SREN | 0 |
| D_1 | 113 |
| Prod_Type3 | TB_SD_WASW |
| da | 181 |
| DA_ | 41.275 |
| Z_ | 11 |
| yobi | 53422XU |
| A_ | 59 |
| T3 | 99.7 |
| SDM_ | 170 |
| r | 3 |
| KBRG | 513 |
| R_ | 180 |